

# ClickitUp® Door

**Product type** Height adjustable glass balustrade  
**Product family** ClickitUp®

**ErgoSafe®**  
FLEXIBLE GLASS SOLUTIONS

## Description

Height adjustable glass balustrade with door function

## Safety

ClickitUp® is CE marked according to the machinery directive 2006/42/EC. The balustrade must not be installed where there is a outcome risk.

## Manufacturing method

Structural glazing is used to fit the glass to the aluminium posts

## Baseplate mounts

Baseplate mounts are available as single, double and side baseplate mounts

## Cover caps

Cover caps are available as single, double and corner variants.

## Material

Glass, aluminium and stainless steel

## Glass fixed section/Glass movable section

Toughened glass 8 mm/Toughened glass 6 mm

## Height lowered balustrade/ Height raised position

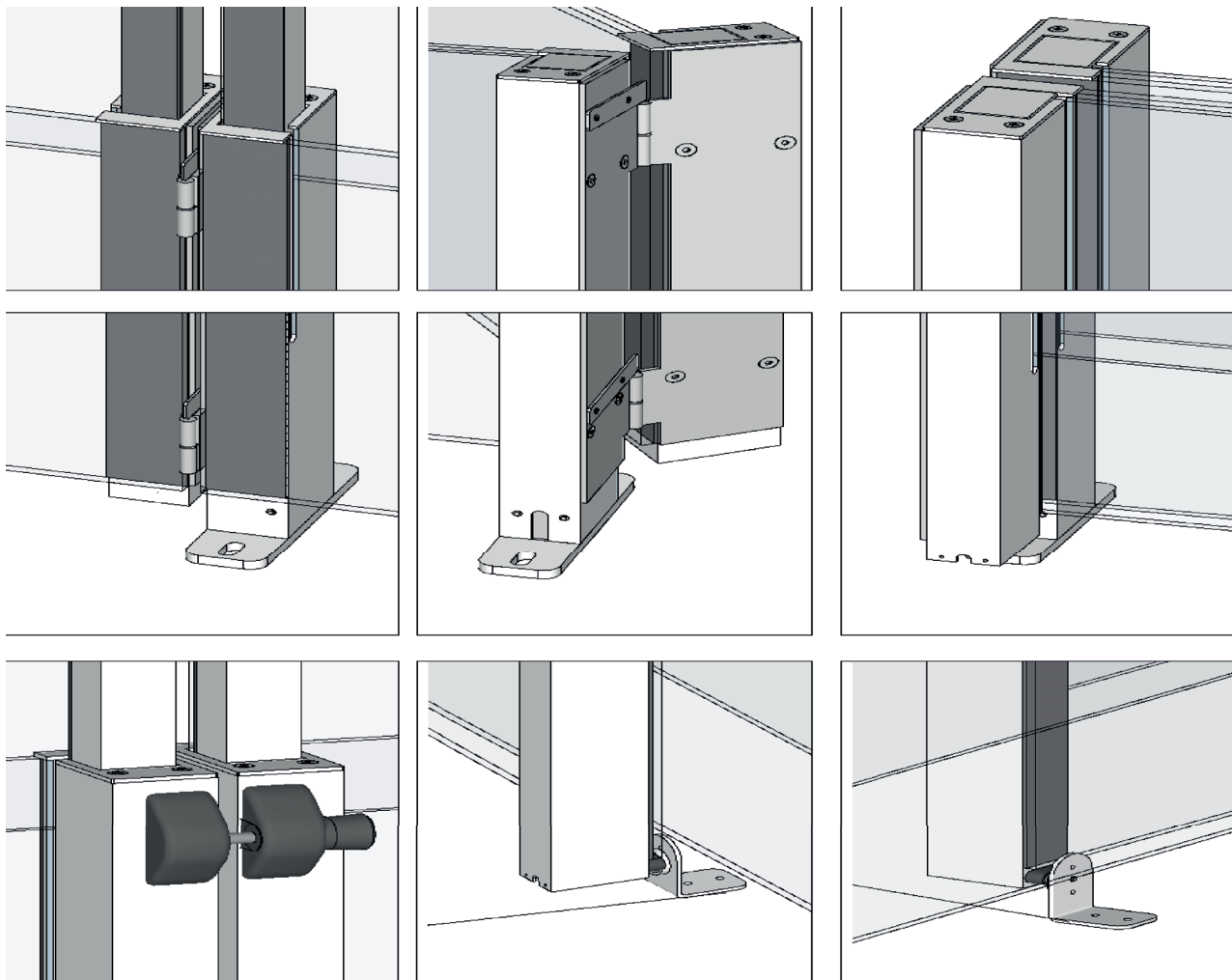
1100 mm/1900 mm or 1200 mm/2000 mm

## Width measurement door section

Max measurement 1100 mm. For more door measurements contact your seller

## Surface treatment

Natural anodised as standard. As an option at an additional charge, black anodised or powder coated in a RAL colour



# ClickitUp Door

